

## TECHNICAL SPECIFICATION :

<b>Contact Rating</b> At 24 VDC/250VAC	<b>Typical Life Expectancy</b>
<b>10Amps Resistive</b>	2 x 10 <sup>5</sup> operations
<b>12 Amps Resistive</b>	1.5 x 10 <sup>5</sup> operations
<b>Contact Material</b>	Silver Alloy
<b>Initial Contact Resistance</b>	0.050 Ohms (max.)
<b>Ambient Temp.</b>	-40°C to + 70°C
<b>Di-electric Strength</b>	2KV between contacts or coil to ground
<b>Insulation Resistance</b>	100 Meg. Ohms min at 500 VDC at 27°C & 65 % R.H.
<b>Operate Time</b>	0.025 sec at nominal Voltage
<b>Release Time</b>	0.015 sec at nominal Voltage
<b>Max. Weight</b>	HCC 80 gms. HPC 90 gms.

**TYPE HCC**  
ENCLOSED VERSION  
SOLDER CONNECTION



**TYPE HPC**  
ENCLOSED VERSION  
PLUG-IN-CONNECTION



## COIL-DATA

(All Values at 27°C±2°C Ambient)

Nominal Voltage	Resistance in Ohms ± 10%		Must Operate Voltage
	DC relays	AC relays	
6	30	4	5
12	120	16	10
18	270	-	15
24	480	70	20
48	1900	-	40
110	10k	2k	90
240	-	10k	190

## SALIENT FEATURES

- 10 Amps/12Amps
- Versatile Relays satisfying low to medium Power Sources
- High Reliability
- Elegant, Sturdy and Light Weight

## APPLICATIONS:-

- Voltage Stabilizer
- Uninterrupted Power Supply
- Process Control System
- Control Panels
- Inverters
- Industrial Controls

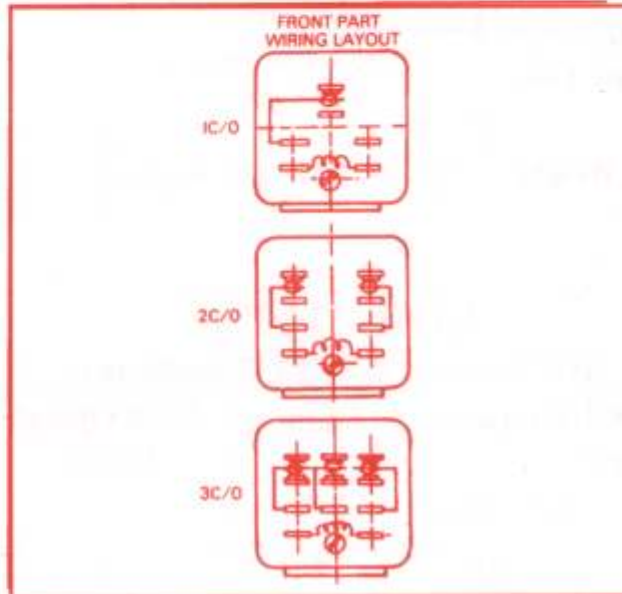
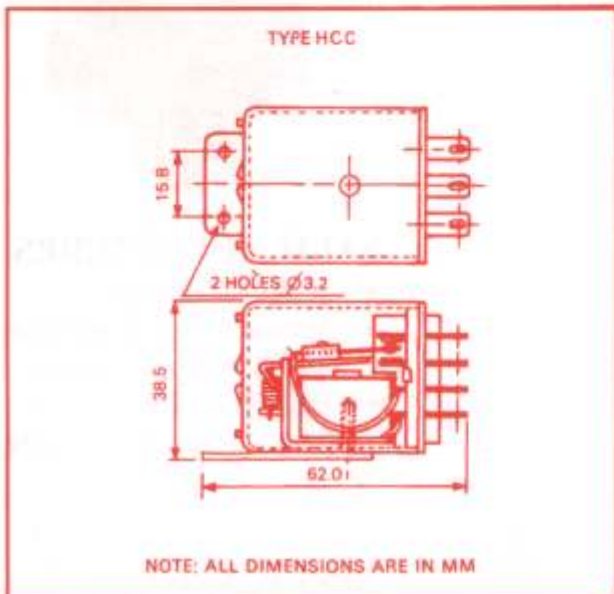
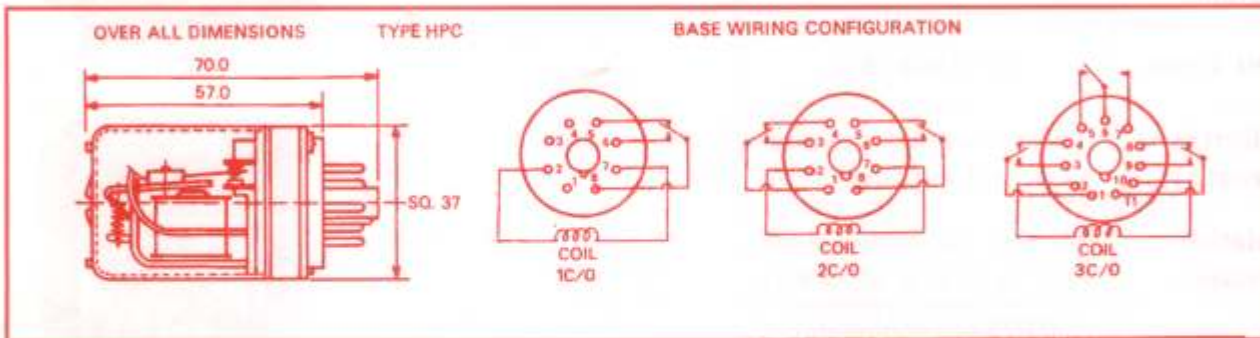
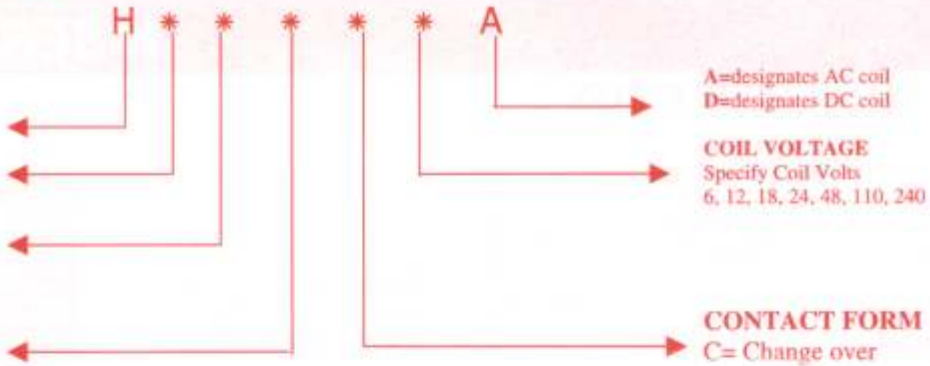
## ORDERING CODE

**SERIES H**  
10 Amp. Relays

**MOUNTING**  
C= Chassis mounting  
P=Plug in mountin

**ENCLOSURE**  
C=Enclosed version

**NO OF CONTACTS**  
1=1 Contact  
2=2 Contacts  
3=3 Contacts



**PLC** Manufactured by : **PLA COMPONENTS**

Thakor Estate, Vidyavihar (W), Mumbai 86.

Tel: 25106104/05 Fax: 022-25093811 Email: sales@plarelays.com

Web. www.plarelays.com

CAT No.: - 'H' Series/07-11