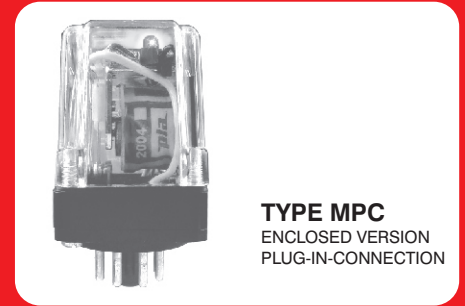
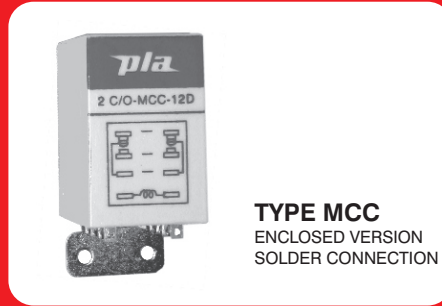
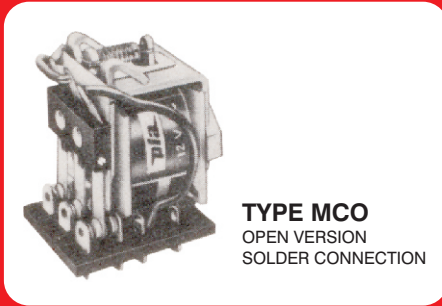


- **LCSO APPROVED**
- **HIGH RELIABILITY**
- **LOW COST**
- **ASSURED DELIVERIES**



SERIES M



MINIATURE RELAYS 6 AMPS RESISTIVE AT 24 V DC/250 V AC

SPECIFICATIONS	
Contact Material	Silver Alloy
Initial Contact Resistance	0.050 Ohms (max.)
Ambient Temp.	-25°C to +55°C
Di-electric Strength	2KV between contacts or coil to ground
Insulation Resistance	100 Meg-Ohms min. at 500 VDC at 27°C & 65% R.H.
Operate Time	0.020 Sec. max. at nominal Voltage
Release Time	0.010 Sec. max at nominal Voltage
Life Expectancy	10 ⁶ operations at rated load
Max. Weight	MCO 60 gms. MCC 80 gms. MPC 90 gms.
Impulse	5 KV

COIL-DATA (All Values at 27°C±2°C ambient)			
Nominal Voltage	Resistance in Ohms ±10%		Must Operate Voltage
	DC Relays	AC Relays	
6	30	7	5
12	200	30	10
18	390	--	15
24	500	110	20
48	2250	440	40
110	10,000	2400	90
220	30,000	--	180
240	--	9500	180

PC Manufactured by : **PLA COMPONENTS**

Thakor Estate, Vidyavihar (W), Mumbai 86.

Tel: 25106104/05 Fax: 022-25093811 Email: sales@plarelays.com

Web. www.plarelays.com

CAT No.: - M Series/06-11

ORDERING CODE

NO. OF CONTACTS

1, 2 OR 3

CONTACT FORM

C/O = change over

N/O = normally open

N/C = normally close

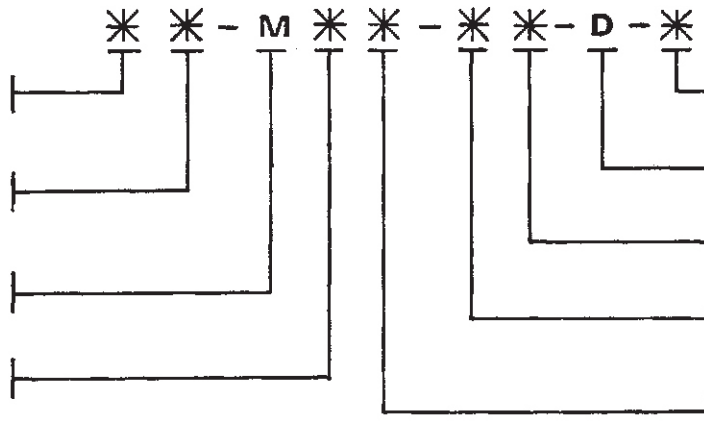
SERIES M

MINIATURE RELAYS

MOUNTING

C = chassis mounting

P = plug-in mounting



SPECIAL FEATURES

Please ask for details

QUALITY

D = defence quality

Omit D for commercial quality

A = AC RELAY

D = DC RELAY

COIL VOLTAGE

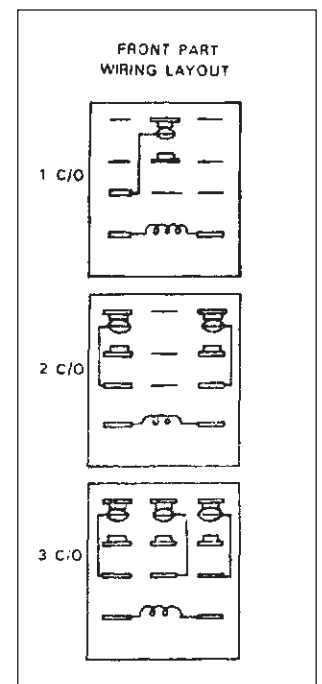
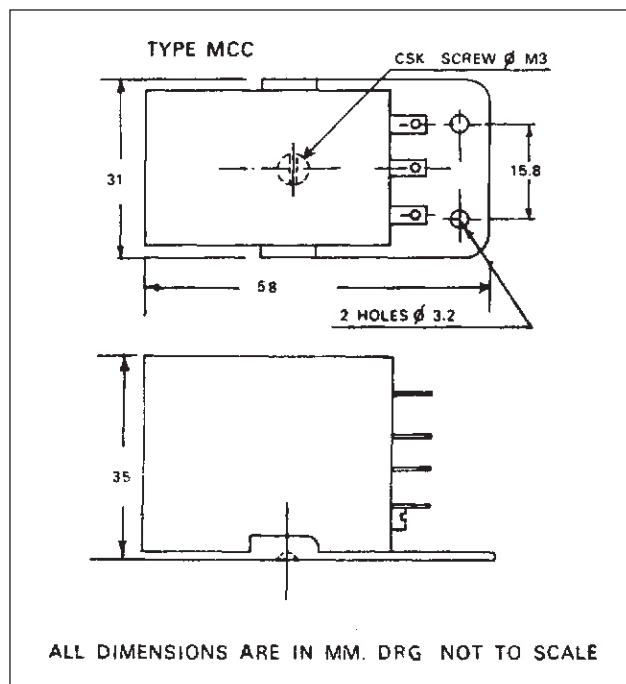
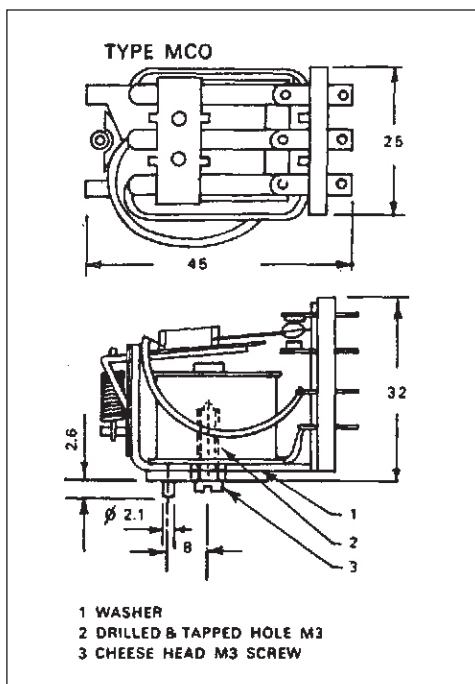
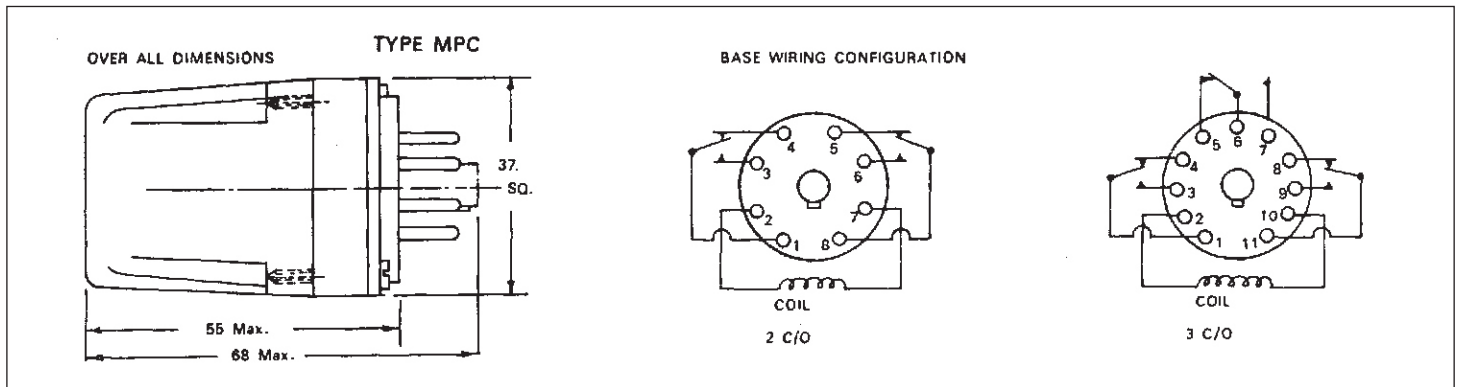
specify coil volts

6, 12, 18, 24, 48, 110, 240

ENCLOSURE

O = open

C = cover



APPLICATIONS :

- Machine Tools • Control Panels
- Instrumentation • Telecommunication
- Textile Machineries
- Industrial & Consumer Electronics
- Electrical Equipments & Appliances
- Automation & Remote Control Systems
- Bio-medical Instruments & Appliances